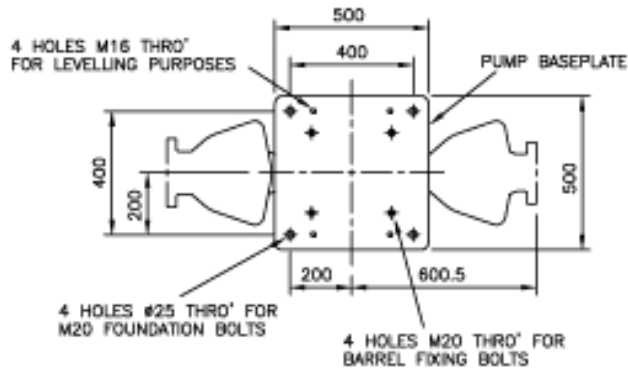
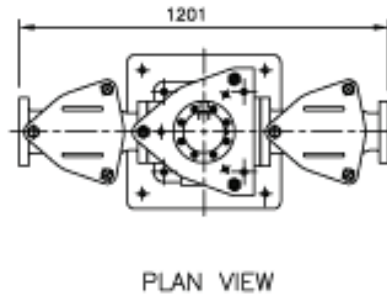


DO NOT SCALE - IF IN DOUBT ASK

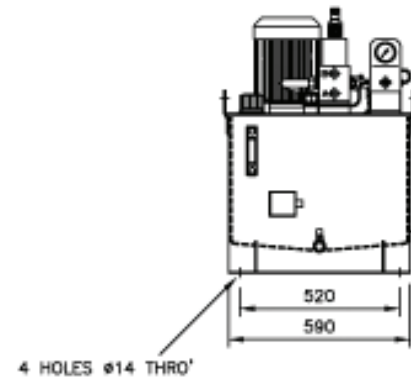
ALL DIMENSIONS ARE METRIC UNLESS OTHERWISE STATED



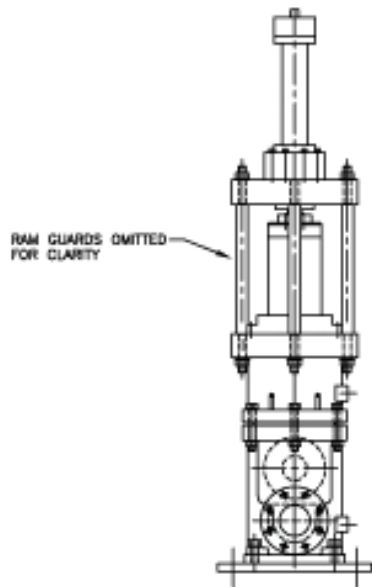
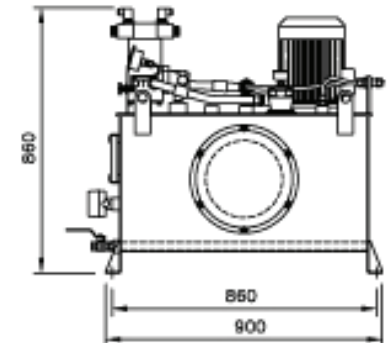
FOUNDATION DETAILS



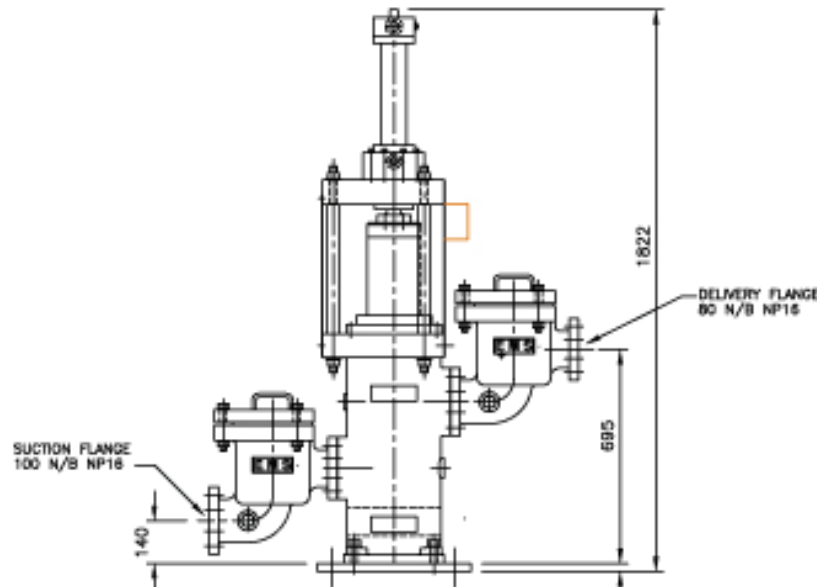
PLAN VIEW



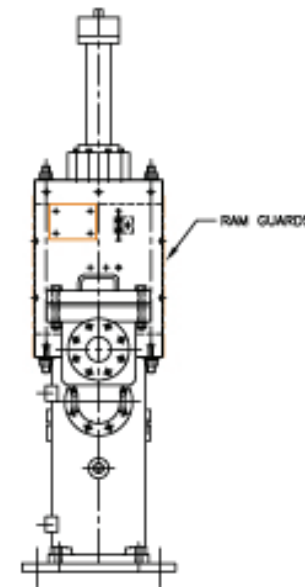
HYDRAULIC POWER UNIT



VIEW ON SUCTION SIDE



FRONT VIEW



VIEW ON DELIVERY SIDE

CERTIFIED FOR			
<input type="checkbox"/> MANUFACTURE	<input type="checkbox"/> APPROVAL		
<input type="checkbox"/> REVISION	<input type="checkbox"/> MODIFICATION		
CONTRACT No. _____			
SHEET _____			

VRH175 PUMP WEIGHT = 800 Kgs.

PART No. \_\_\_\_\_ A2

**EMS** EMS Industries Ltd  
 7 Turalul Road Industrial Estate, Kingsley, Stoke-on-Trent, ST8 7BB  
 Telephone : (01782)510051 Fax : (01782)510052

REVISION 'A' FIRST ISSUE	TOLERANCE UNLESS OTHERWISE STATED CAST ±1.0(0.06) F68 ±1.5(0.08) M/C ±0.25(0.017) MACHINE SURFACE UNLESS OTHERWISE STATED JWS No 1.8 to 3.3	ORDER No _____	QTY : 1	DESCRIPTION VRH175 GENERAL ARRANGEMENT		
	THIS DRAWING IS CONFIDENTIAL AND IS THE PROPERTY OF EMS INDUSTRIES LTD IT MUST NOT BE DISCLOSED TO A THIRD PARTY COPIED OR LENT WITHOUT THE WRITTEN CONSENT OF EMS INDUSTRIES LTD.	MATERIAL _____	SCALE 1:12		DRAWN HCP	30.5.03
		FINISH _____	CHECKED _____	DRAWING No. VRH175/ GA001		REV A