

DO NOT SCALE - IF IN DOUBT ASK

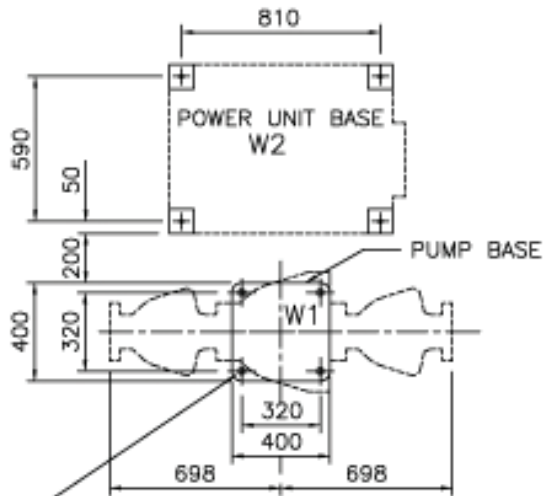
ALL DIMENSIONS ARE METRIC UNLESS OTHERWISE STATED

**CERTIFIED FOR**

MANUFACTURE  APPROVAL

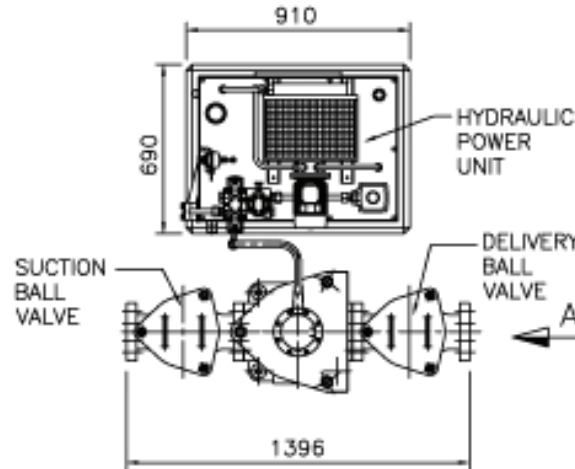
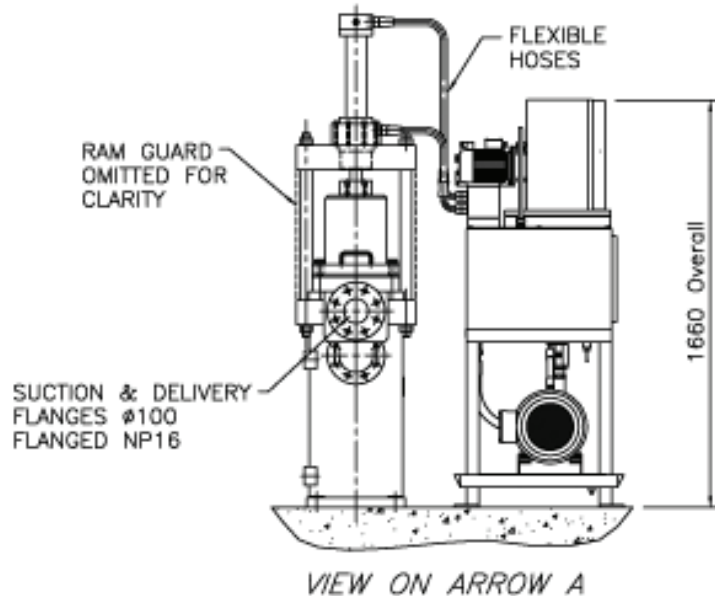
REVISION  BACKLOG

CONTRACT No. \_\_\_\_\_ DATE \_\_\_\_\_



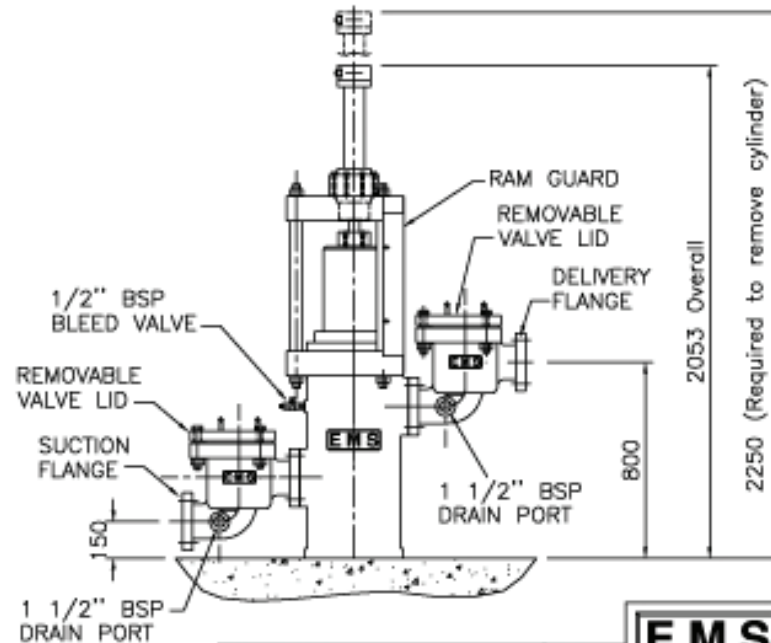
4-off  $\varnothing 26$  MOUNTING HOLES FOR M24 FOUNDATION BOLTS

### FOUNDATION DETAILS



PUMP DATA	
MODEL	VRH250/10/300
MAX. PUMP PRESSURE	10 BAR
MAXIMUM PUMP OUTPUT	300 L.P.M.
POWER UNIT MAIN MOTOR	11 Kw.
POWER UNIT COOLER MOTOR	0.37 Kw.

FLOOR LOADING	WEIGHT (Kgs.)
PUMP W1	1300
POWER UNIT W2 (INCLUDING OIL)	450



PART No. A2

**EMS** Engineering & Machinery Services Ltd  
 7 Tunstall Road Industrial Estate, Kyringley, Stone-on-Trent, ST6 7BD  
 Telephone : (01782)510051 Fax : (01782)510052

REVISION  
 'A' FIRST ISSUE

TOLERANCE UNLESS OTHERWISE STATED  
 CAST  $\pm 1.0(0.06)$  FAB  $\pm 1.0(0.06)$  M/C  $\pm 0.25(0.01)$   
 MACHINE SURFACE UNLESS OTHERWISE STATED  
 per ISO 1.6 to 3.2

ORDER No \_\_\_\_\_ QTY : 1

MATERIAL \_\_\_\_\_

FINISH \_\_\_\_\_

THIS DRAWING IS CONFIDENTIAL AND IS THE PROPERTY OF ENGINEERING AND MACHINERY SERVICES LTD IT MUST NOT BE DISCLOSED TO A THIRD PARTY COPIED OR LENT WITHOUT THE WRITTEN CONSENT OF ENGINEERING AND MACHINERY SERVICES LTD.

DESCRIPTION  
 VR250/ 10/ 300 PUMP & POWER UNIT G.A.

SCALE	DRAWN	HCP	12.02.02	DRAWING No.	REV
1=15	CHECKED			VR250/ A005	A