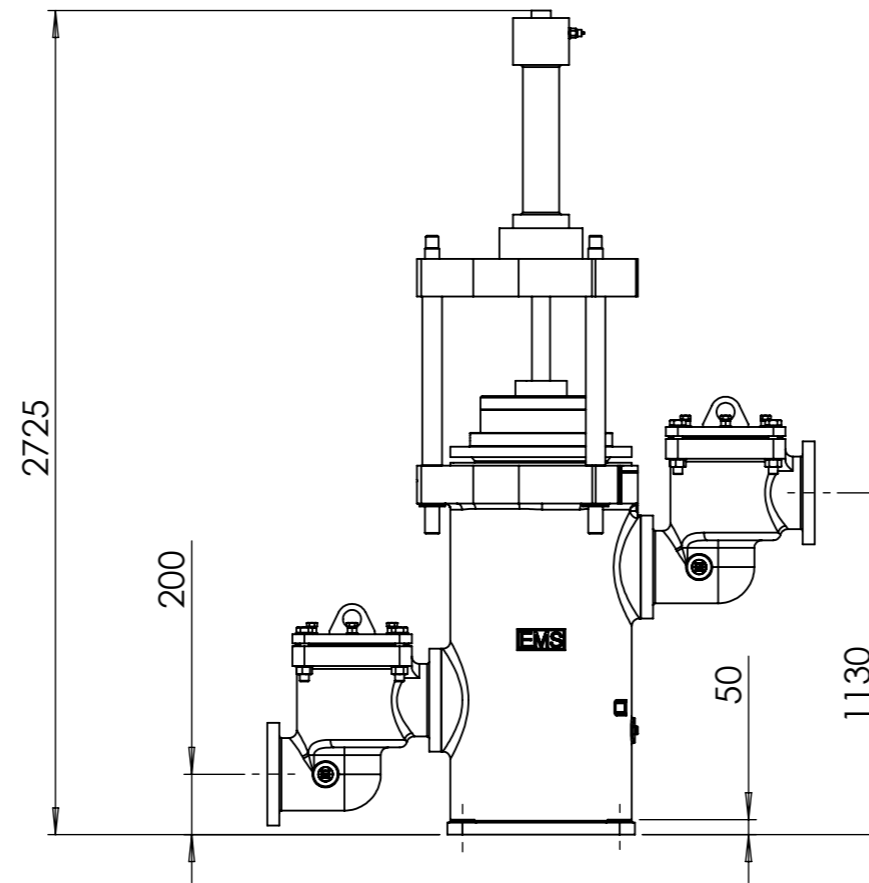
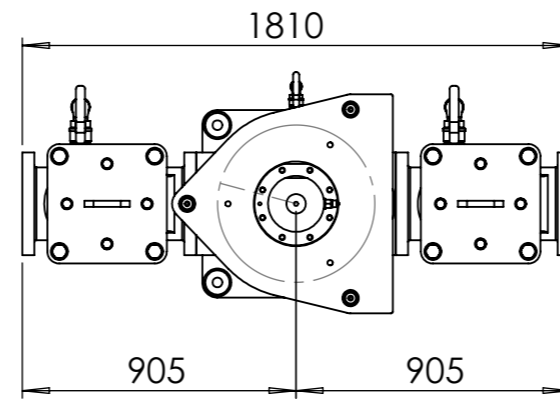
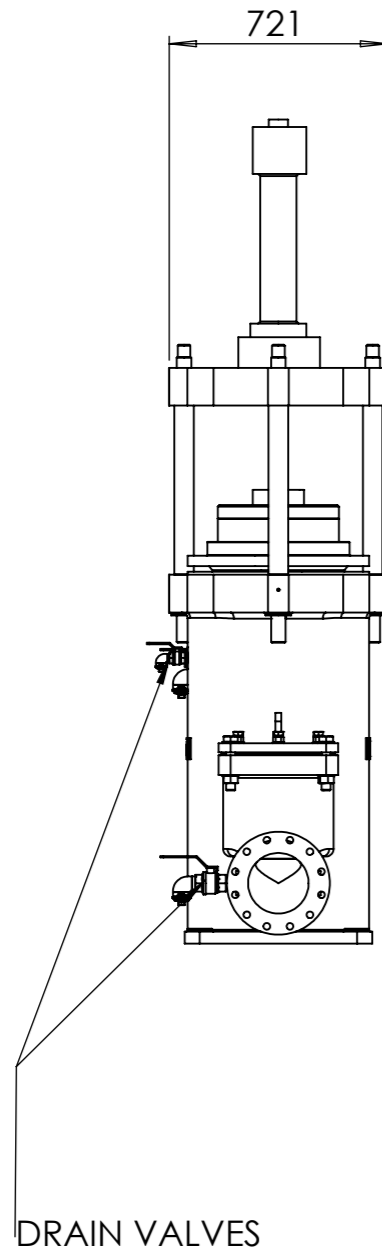
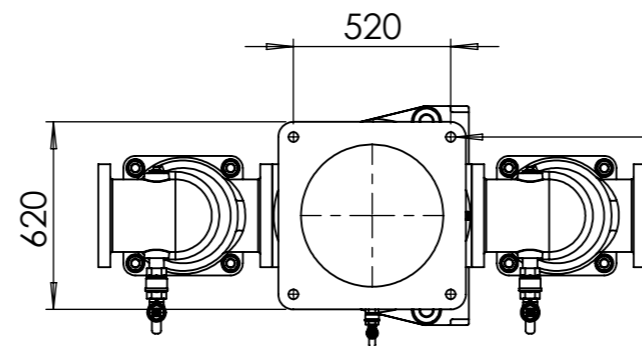


EMS Ram Pump Model VRH400

Universal Pumping 770-592-8664



NOTE:
 STATIC LOAD 3000KG
 DYNAMIC LOAD 3400KG
 PUMP INSTALLED ON LEVEL
 BASE 5mm IN 1m



4 X Ø 32 THRU HOLES FOR
 M30 FOUNDATION BOLTS

SIZE A3



STOKE ON TRENT ENGLAND
 TELEPHONE : (01782) 510051
 FAX : (01782) 510052
 WEB www.ems.gb.com

MATERIAL:	Material <not specified>	QTY:	
FINISH:	SELF FINISH		
UNLESS OTHERWISE SPECIFIED: DIMENSIONS ARE IN MILLIMETERS MACHINED SURFACE FINISH: µm 1.6 TO 3.2 TOLERANCES: MACHINED : ± 0.25 CAST & FABRICATIONS : ± 1.5		DEBURR AND BREAK SHARP EDGES	DO NOT SCALE DRAWING
THIS DRAWING IS THE PROPERTY OF EMS INDUSTRIES LTD. AND MUST NOT BE REPRODUCED, EITHER WHOLLY OR PARTLY, WITHOUT WRITTEN PERMISSION FROM EMS INDUSTRIES LTD.		PART No. XXXXX-XXX-XX	
DRAWN	MH	DATE	15/11/17
CHK'D	XXX		XX/XX/XX
WEIGHT: 1867882.32 Kg		SCALE:1:25	

DESCRIPTION		
VRH400S GENERAL ASSEMBLY		
DWG NO.	VRH400GA500A	REV A
SHEET 1 OF 1		

REV.	DESCRIPTION	DATE	DRAWNBY	APPROVED
A	FIRST ISSUE	15/11/17	MH	