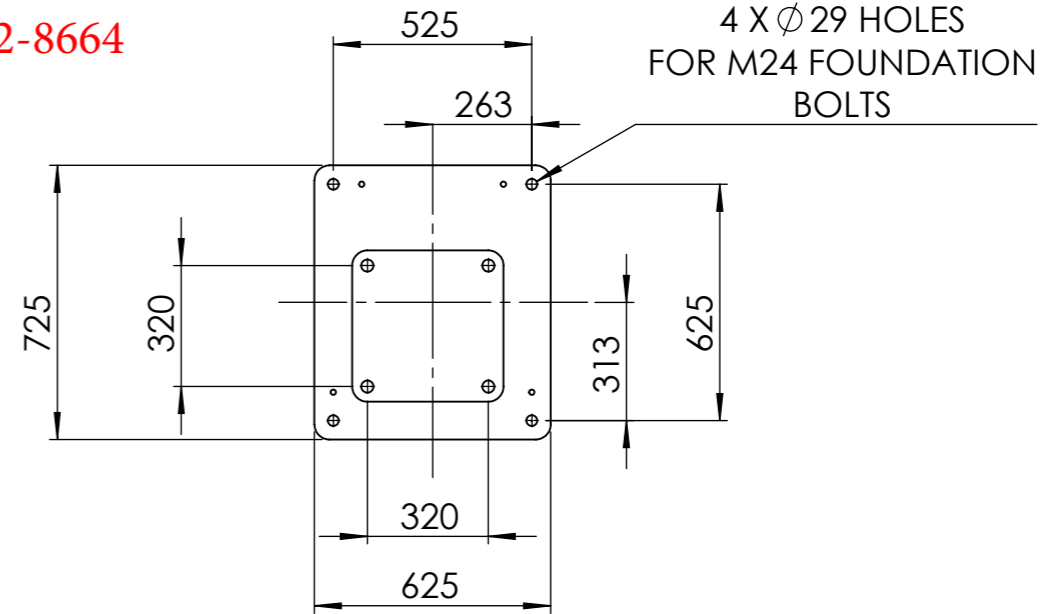
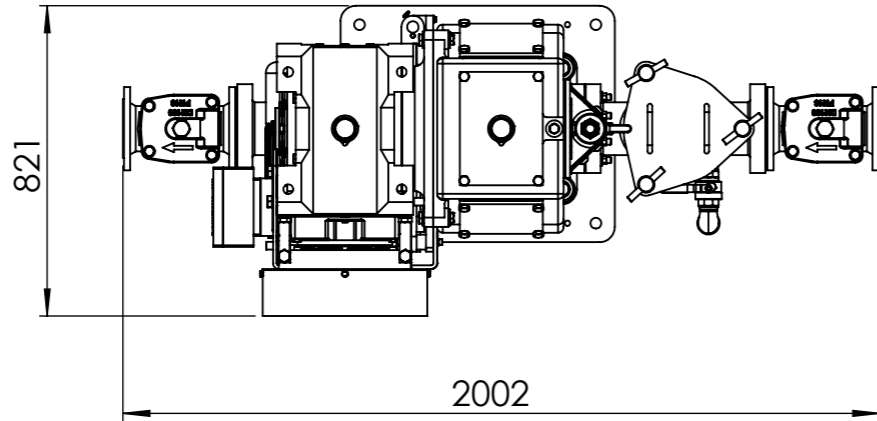
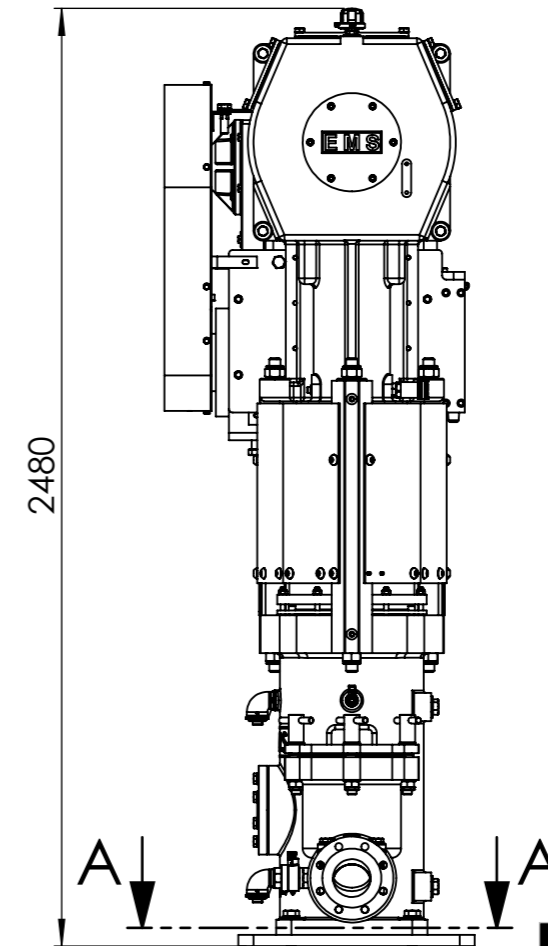
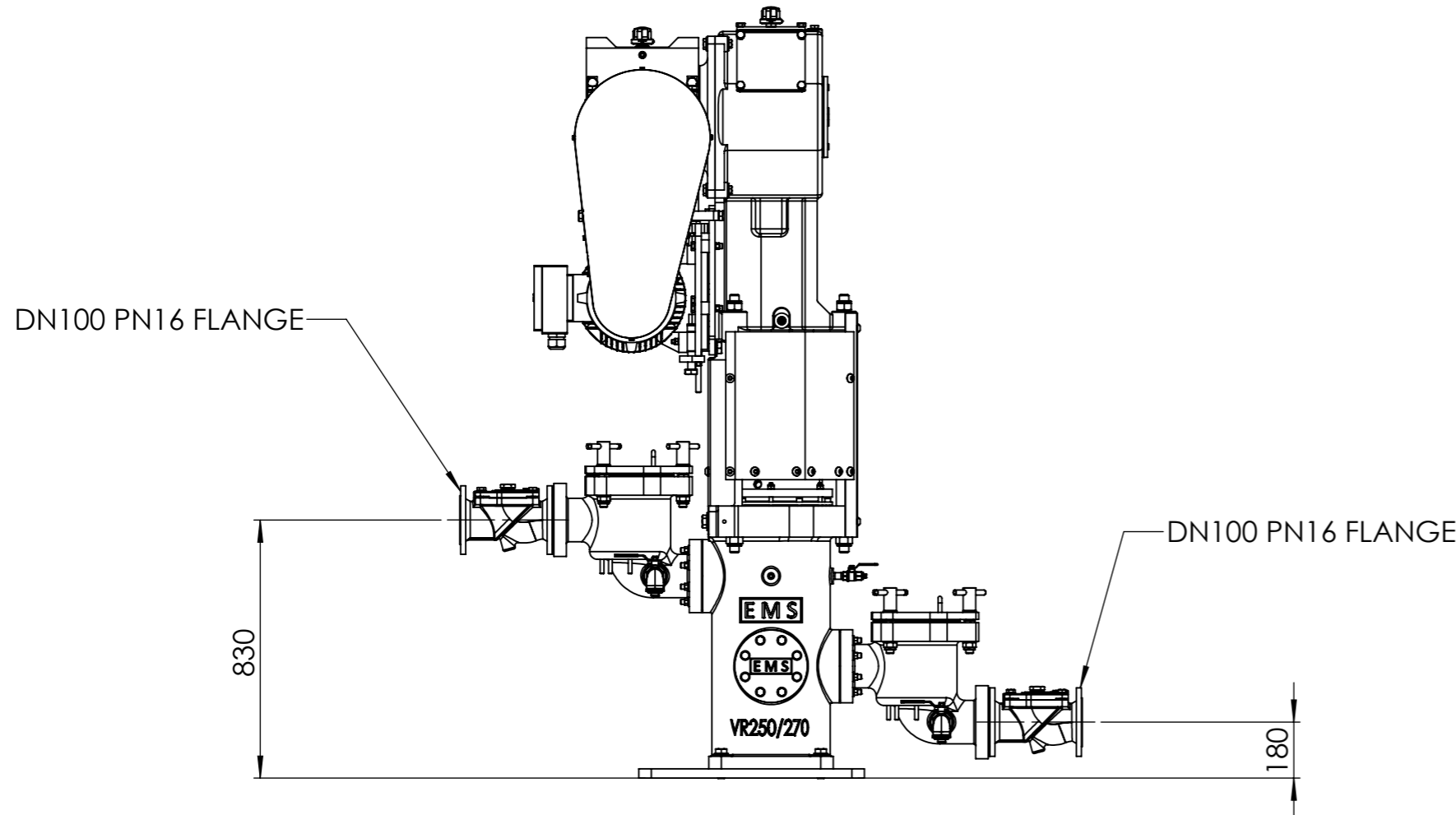


EMS Ram Pump Model VRM250 Universal Pumping 770-592-8664

NOTE:
 MODEL: VRM250
 PUMP WEIGHT (STATIC): 1900kg
 PUMP WEIGHT (DYNAMIC): 2200kg
 POWER SUPPLY: 415v-3ph-50Hz



SECTION A-A



SIZE A3



STOKE ON TRENT ENGLAND
 TELEPHONE : (01782) 510051
 FAX : (01782) 510052
 WEB www.ems.gb.com

MATERIAL:	N/A	QTY:	DESCRIPTION
FINISH:	SELF FINISH		
UNLESS OTHERWISE SPECIFIED: DIMENSIONS ARE IN MILLIMETERS MACHINED SURFACE FINISH: μm 1.6 TO 3.2 TOLERANCES: MACHINED : ± 0.25 CAST & FABRICATIONS : ± 1.5		DEBURR AND BREAK SHARP EDGES	DO NOT SCALE DRAWING
THIS DRAWING IS THE PROPERTY OF EMS INDUSTRIES LTD. AND MUST NOT BE REPRODUCED, EITHER WHOLLY OR PARTLY, WITHOUT WRITTEN PERMISSION FROM EMS INDUSTRIES LTD.		PART No. XXXXX-XXX-XX	
DRAWN	MH	DATE	16/8/17
CHK'D	XXX	XX/XX/XX	
WEIGHT: 1908.99		SCALE: 1:20	SHEET 1 OF 1

VRM250 GENERAL ASSEMBLY	
DWG NO.	VRM250GA026
REV	B

REV.	DESCRIPTION	DATE	DRAWNBY	APPROVED
A	FIRST ISSUE	16/8/17	MH	
B	ANNOTATION AMMENDED	16/04/2018	MH	